

Three-phase electricity meter NORAX 3

Application

Multipurpose electricity meter for three-phase networks. Enables direct measurement of active and reactive power. Intended for municipal customers of all tariff groups.

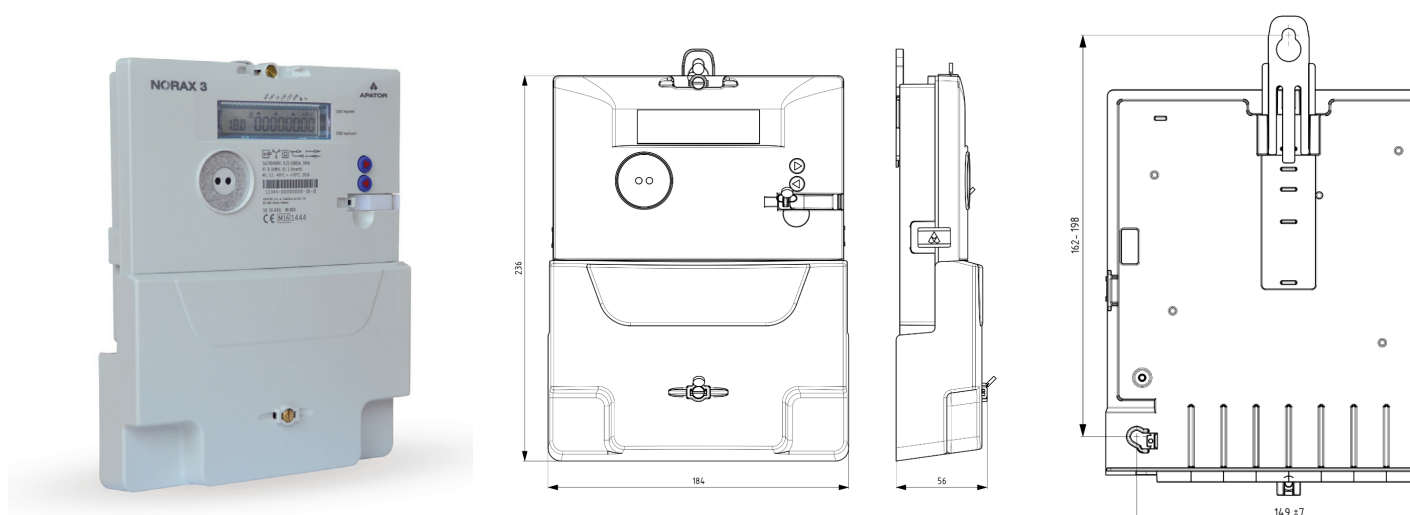


Features

- Bidirectional measurement of active power
- Four-quadrant measurement of reactive power
- Measurement of voltage, current, instantaneous power and maximum power
- Load profile
- Communication protocol: DLMS/COSEM
- Local communication: optical port, serial port RS 485 (optional), Wireless M-Bus (EN 13757) on 868 MHz (optional)
- Firmware upgrade (according WELMEC 7.2)
- Segment LCD display
- Resistance to external magnetic field

Basic technical data

Model	NORAX 3	
Connection method	Direct	
Rated voltage U_n	[V]	3x230/400
Reference current I_{ref}	[A]	5
Maximum current I_{max}	[A]	60 or 80 or 100
Frequency	[Hz]	50
Measurement accuracy of active energy	wg EN 50470-3	B
Measurement accuracy of reactive energy	wg EN 62053-23	2
Metering type	A+, A-, A	
Power consumption in voltage circuit	[W] / [VA]	<1 / <1,5
Electric strength	[kV]	4 (AC 50 Hz), 6 (impulses 1,2/50 μ s)
Impulse frequency	[imp/kWh]	5000
Clock	Internal, accuracy not lower than 0.5s/24h at 23°C	
Communication	Optical port, serial port RS485 (optional), Wireless M-Bus (EN 13757) on 868MHz (optional)	
Display	Dedicated LCD display (The viewing area is 65 x 20 mm)	
Temperature of operation	-25 to +55 °C -40 to +70 °C (Optionally)	
Housing	IP53 or IP54, II protection class	
Standards	MID Directive (B+D) EN 50470-1 EN 50470-3 EN 62053-23	



Uppgifterna gäller vid datumet för utfärdandet av detta dokument.
Tillverkaren har rätt att ändra och förbättra produkterna utan föregående meddelande.
Denna publikation är endast avsedd för informationsändamål.



KONTAKTUPPGIFTER

Postadress:
Ngenic Sverige AB
Kungsgatan 41
753 21 Uppsala

sales@ngenic.se
018 - 472 18 18
www.ngenic.se



Apator SA
Apator S.A. Centrum, Ostaszewo 57C, 87-148 Łysomice, PL
tel. +48 56 61 91 111, fax +48 56 61 91 295
e-mail: apator@apator.com
www.apator.com